



The DURLUX 4-20mA measure the ambient illuminance -lux- and converts it to a current loop signal.

The 4-20mA signal output is provided in the same power supply cable offering and easy installation wiring.

Based on a Si-photoelement, offers a sensitivity close to the visible light.

Specially indicated for outdoor installations, this luxometer is solid and stable.

Has a high grade protection for outdoor use and solid construction in stainless steel.

## CHARACTERISTICS

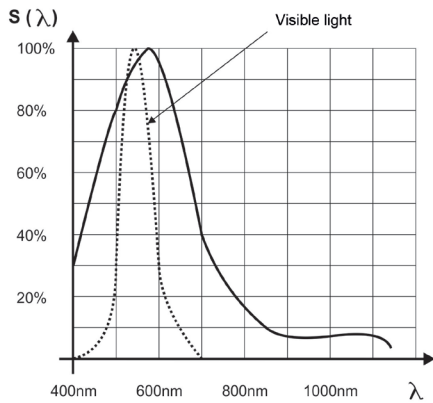
- Reliable and precise measuring of ambient illumination level both in indoor and outdoor.
- 4-20mA current loop output through same supply cable.
- Easy to install and position.
- Various ranges of illumination measuring in a single device.

## APPLICATIONS

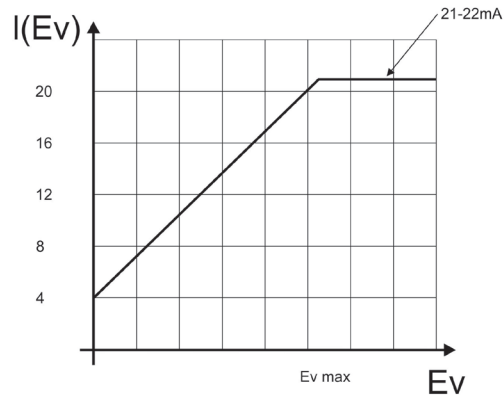
- Illumination control inside buildings.
- Illumination control inside workhouse.
- Blinds control.
- Greenhouse windows control.
- Large surfaces illumination control.

TECHNICAL SPECIFICATIONS	
Parameters	
Power supply	12-30 Vdc ( $\pm$ 10%)
Signal output	4-20mA
Illuminance range	Selectable range 0-1000 lux, 0-2500 lux, 0-5000 lux, 0-10000 lux, 0-30000 lux, 0-50000 lux, 100000 lux
Linearity	< 1%
Precision	< $\pm$ 5% FS (0-1000 lux), < $\pm$ 5% FS (0-2500 lux), < $\pm$ 5% FS (0-5000 lux), < $\pm$ 5% FS (0-10000 lux), < $\pm$ 5% FS (0-30000 lux), < $\pm$ 5% FS (0-50000 lux)
Spectral sensitivity	Max. At 570nm
Sealing	IP67
Enclosure material	Stainlees steel
Operating temperature	-30° C to +60° C
Storage temperature	-55° C to +80° C
Humidity	30% - 80% no condensation
Connections	2m. Cable

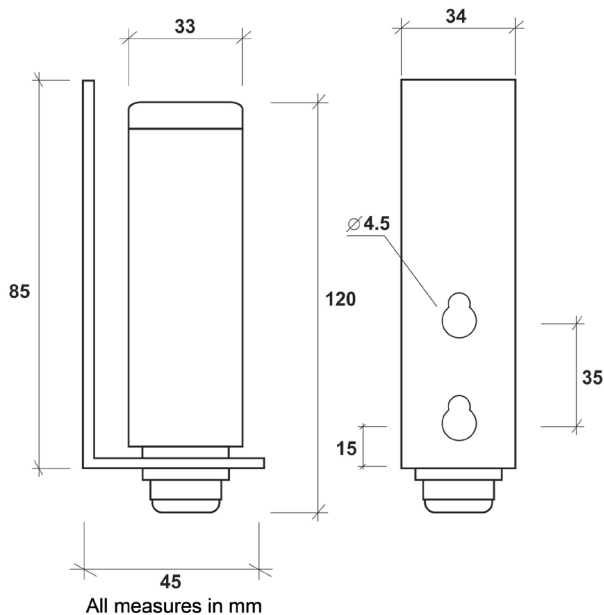
## Sensitivity



## Output



## Dimensions



## Connections

