

SC-32T

The SC-32T of LDA, is a small size and high performance speaker, acoustically designed to achieve a high quality reproduction of music and voice.

Its easy installation and small size make the speaker SC-32T ideal for tight spaces or highly distributed installations.

The SC-32T is made of metal treated against corrosion and features a 2.5" speaker and low loss transformer for 70V or 100V lines.

**SC-32T Features:**

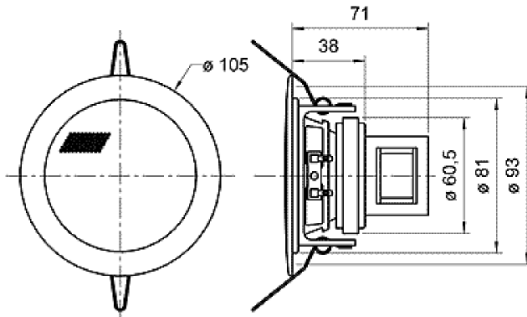
- 2.5" Loudspeaker that gives you excellent sound quality suitable for speech and music reproduction
- Low loss transformer for 70/100 V lines
- Metallic grille acoustically transparent
- Easy installation with torsion springs

Technical specifications:

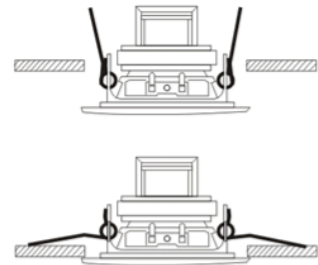
Model	LDASC32S02
Nominal power	6 W RMS
Frequency response	100 - 20KHz \pm 5 dB
Sensitivity	87 dB @ 1kHz 1W/1m
Colour	RAL 9016
Transformer	6 / 3 W @100V 3 / 1.5 W @70V
Bracket	Torsion springs
Material	Fe (body and grille)
Dimensions (diameter x depth)	105x71 mm
Mounting hole	93 mm
Net weight	0.35 Kg

SC-32T

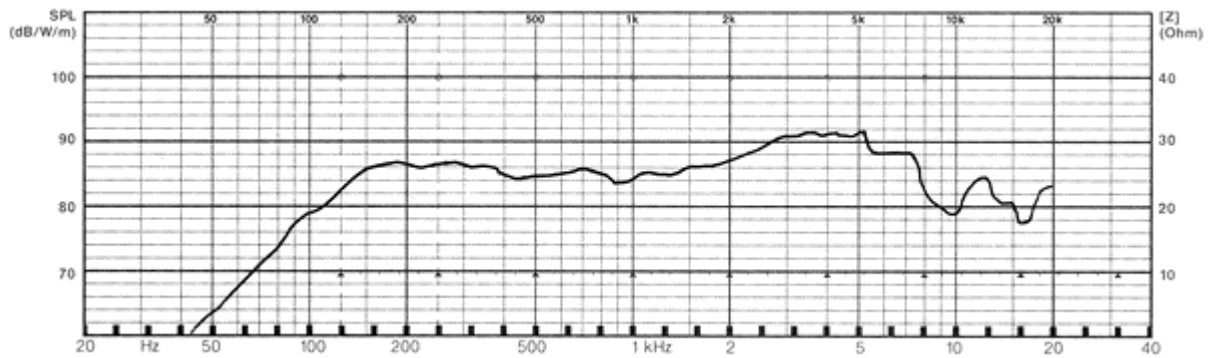
Dimensions:



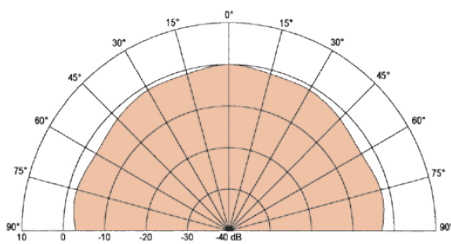
Installation:



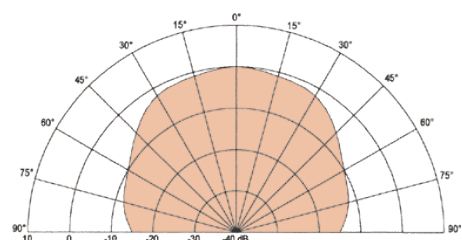
Frequency response:



Dispersion 2000Hz:



Dispersion 5000Hz:



Dispersion 10000Hz:

