

## DS-60TN

DS-60TN is a high-performance 6W voice alarm cabinet loudspeaker. It provides a broad frequency response range, low distortion and high sound pressure level for accurate and intelligible broadcast of evacuation messages and high quality sound reproduction. It's ideal for sound distribution in various types of commercial buildings. Its low-profile, white color design blends easily with most interiors in locations such as hotels, conference rooms, cinemas, factories and exhibitions.

This voice alarm outdoor column loudspeaker complies with BS 5859 part 8 and EN 54 part 24

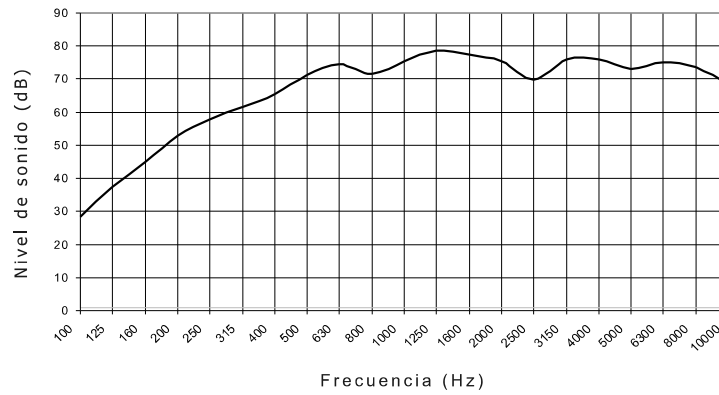


### DS-60TN features:

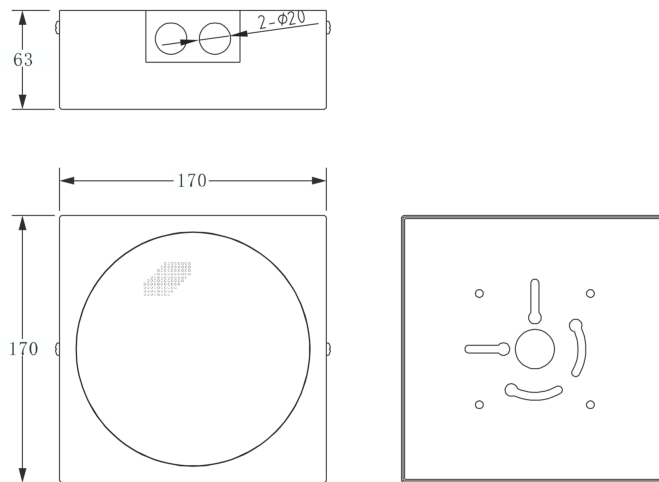
- Intelligible voice and superior sound reproduction
- Robust metal enclosure
- Harmonious with all indoor decoration
- Simple power setting
- Easy installation
- Complies with EN 54-24 standard
- Available with or without capacitor (part number without "C")

### Technical specifications:

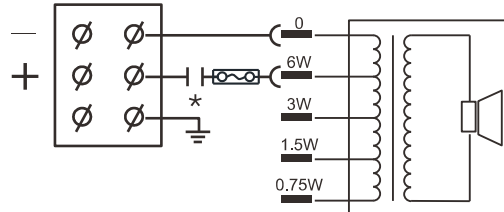
Model	LDADS60TS02
Max power	9 W
Rated power	6 W
Power tapping	6 W / 3 W / 1.5 W / 0.75 W
Sensitivity (1W/4m, 100Hz~10kHz)	79 dB
SPL (1W/1m, 100Hz~10kHz)	91 dB
SPL (6W/4m, 100Hz~10kHz)	86 dB
Frequency response (-10 dB)	300Hz ~ 15k Hz
Rated input voltage	100V / 70V
Rated impedance	1.7K $\Omega$ / 3,3K $\Omega$ / 13K $\Omega$
Connection	Ceramic terminal
Dimensions	170 mm x 170 mm x 63 mm
Weight	1.56 kg
Colour	White (RAL9003)
Speaker size	4"
Operating temperature	-25°C to +55°C
Storage temperature	-40°C to +70°C
Relative humidity	< 95 %



**Three view diagram:**



### Circuit diagram:



### Dispersion angles:

		Horizontal	Vertical
1 oct.ruido rosa	500 Hz	226°	226°
1 oct.ruido rosa	1k Hz	175°	174°
1 oct.ruido rosa	2k Hz	85°	88°
1 oct.ruido rosa	4k Hz	96°	85°

