

## GMX301 Compact Weather Station

The MaxiMet range of compact weather stations is designed and manufactured by Gill Instruments. MaxiMet products use reliable, high quality instruments to provide accurate meteorological information in a wide variety of applications.

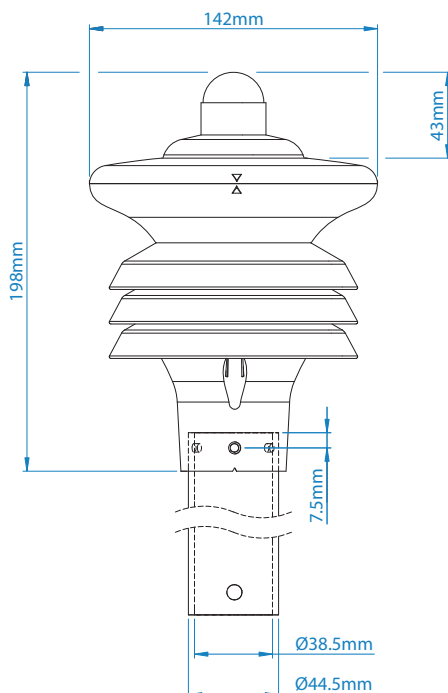
### GMX301 Features

**Temperature, humidity, pressure.** A combined instrument mounted inside three double louvered, naturally aspirated radiation shields with no moving parts. The results are high performance across each measurement over long periods of time.

**Solar radiation.** An integrated solar radiation sensor/pyranometer. This highly accurate instrument uses a thermal sensor mounted at its base and protected by a single glass dome to record the amount of light in watts per metre<sup>2</sup>. It is widely used in agro-meteorological applications and for monitoring the performance of solar panels.



| TEMP, HUMIDITY & PRESSURE  | SOLAR RADIATION   | PARAMETERS   |
|--|---|--|
| <ul style="list-style-type: none"> <li>Air Pressure / Temperature</li> <li>Relative / Absolute humidity</li> <li>Naturally aspirated UV stable radiation shield</li> <li>Protection against wind-blown precipitation/dust</li> </ul> | <ul style="list-style-type: none"> <li>Complies with ISO 9060 and WMO Guidelines</li> <li>Output in watts per metre<sup>2</sup></li> <li>180° hemispherical field of view</li> <li>Records sunshine hours</li> <li>Integrated Hukseflux LP02 pyranometer</li> <li>Glass dome</li> </ul> | <ul style="list-style-type: none"> <li>Solar radiation <math>w/m^2</math></li> <li>Sunshine hours <i>hrs</i></li> <li>Solar Noon</li> <li>Temperature °C / °F / °K</li> <li>Relative humidity % Rh</li> <li>Barometric pressure hPa, mbar, mm Hg, In Hg</li> <li>Absolute humidity <math>g/m^3</math></li> <li>Outputs<br/>RS232, 422, 485 (ASCII), SDI-12, NMEA, MODBUS, Analogue (option)</li> </ul> |



### All MaxiMet Models Feature

- Quality Measurements
- Lightweight and Robust
- Low Power Mode
- Free of Charge Software
- Gill Proven Reliability
- Compact Integrated Design
- Real Time Output
- Easy Installation
- Gill Customer Support
- 2 Year Warranty

## Applications

- Building and Industrial Controls
- Authorities
- Transport
- Coastal
- Agricultural
- Safety
- Educational
- Commercial
- Energy

### TEMPERATURE

|               |                |
|---------------|----------------|
| Range         | -40°C to +70°C |
| Resolution    | 0.1            |
| Accuracy      | ± 0.3°C @ 20°C |
| Sampling Rate | 1 Hz           |
| Units         | °C, °F, °K     |

### PRESSURE

|               |                       |
|---------------|-----------------------|
| Range         | 300 to 1100 hpa       |
| Resolution    | 0.1 hPa               |
| Accuracy      | ± 0.5 hPa @ 25°C      |
| Sampling Rate | 1 Hz                  |
| Units         | hPa, mbar, mmHg, inHg |

### POWER

|                        |  |
|------------------------|--|
| Power Supply           | 5 to 30 Vdc  |
| Power (Nominal) 12 Vdc | 5.5 mA continuous high mode. 0.7 mA eco-power mode (1 hour polled) |

### HUMIDITY

|               |                          |
|---------------|--------------------------|
| Range         | 0-100%                   |
| Resolution    | 1%                       |
| Accuracy      | ± 2% @ 20°C (10%-90% RH) |
| Sampling Rate | 1 Hz                     |
| Units         | % Rh, g/m <sup>3</sup>   |

### GLOBAL SOLAR RADIATION

|                        |                            |
|------------------------|----------------------------|
| Wavelength Sensitivity | 300 to 3000 nm             |
| Output Range           | 0 to 1600 W/m <sup>2</sup> |
| Resolution             | 1 W/m <sup>2</sup>         |
| DIN Standard           | ISO 9060 Second Class      |
| Sampling Rate          | 1 Hz                       |
| Units                  | W/m <sup>2</sup>           |

### ENVIRONMENTAL CONDITIONS

|                                |  |
|--------------------------------|--|
| IP Rating                      | 66   |
| Operational Temperature Range: | -40°C to +70°C                               |
| EMC Standard:                  | BS EN 61326 : 2013<br>FCC CFR47 parts 15.109 |
| CE Marking                     | YES  |
| RoHS compliant                 | YES  |
| Weight                         | 0.6 Kg                                       |
| Origin                         | UK   |

### DEW POINT

|               |                |
|---------------|----------------|
| Range         | -40°C to +70°C |
| Resolution    | 0.1            |
| Accuracy      | ± 0.3°C @ 20°C |
| Units         | °C, °F, °K     |
| Sampling Rate | 1 Hz           |

### OUTPUTS

|                     |   |
|---------------------|---|
| Output rate         | 1/s, 1/min, 1/hr  |
| Digital Comms Modes | Serial RS232, RS422, RS485, SDI-12, NMEA, MODBUS, ASCII |
| Analogue Outputs    | Available via separate optional device                  |

Specifications may be subject to change without prior notice



#### Gill Instruments Limited

Saltmarsh Park, 67 Gosport Street  
Lymington, Hampshire SO41 9EG  
United Kingdom

Tel: +44 (0) 1590 613 500  
Fax: +44 (0) 1590 613 501  
contact@gillinstruments.com



[gillinstruments.com](http://gillinstruments.com)

1957-006 Iss 4

Copyright © Gill Instruments 2017