

# Meteo M&R

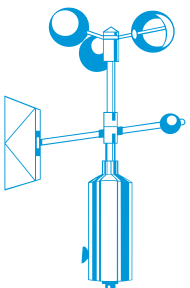
## wind measurement



## PA2 & PRV wind sensors

CUP ANEMOMETER  
& POTENTIOMETER WINDVANE  
LIGHTWEIGHT, HIGH QUALITY

The PA2 series cup anemometers and PRV potentiometer windvane from Wittich & Visser are light weight instruments for measuring wind speed and wind direction. Both sensors are ideal for agro-meteorology, greenhouse automation, HVAC, safety guard regulations, etc.



ingenieursbureau **wittich & visser**

scientific and meteorological instruments

## PA2 & PRV wind sensors

The PA2 series cup anemometers and PRV potentiometer windvane from Wittich & Visser are light weight instruments for measuring wind speed and wind direction. Both sensors are ideal for agro-meteorology, greenhouse automation, HVAC, safety guard regulations, etc.



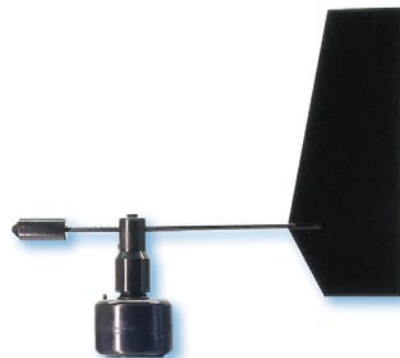
### cup anemometer PA2



Light weight cup anemometer based on Hall effect principle. Measuring range 0..60 m/s with a threshold of 0,5 m/s. Two pulses per rotation and 67 pulses at 30 m/s. The PA2 is an affordable high quality cup anemometer with ceramic magnets and stainless steel bearings and mounting hardware.

This cup anemometer is also available with 2-wire 4..20 mA output (PA2-C).

### wind vane PRV



Light weight, long life potentiometer vane. Mechanical angle 360° without stop. Electrical angle 350°±3°, threshold is between 1.2 and 1.5 m/s. The PRV is an affordable high quality wind vane with oil bronze bearings and stainless steel mounting hardware.

This wind vane is also available with 2-wire 4..20 mA output (PRV-C).

# measurement

## TECHNICAL SPECIFICATIONS PA2

### ANEMOMETER

measuring principle	Hall effect with magnets
air velocity range	0..60 m/s
treshold	0,5 m/s
response length	2,2 m
operating temperature	-30..+70°C
pulses	2 per rotation
frequency	67 Hz at 30 m/s
output PA2-C	4..20 mA
power supply PA2	4,5..30 VDC
power supply PA2-C	10..30 VDC

### MATERIAL

housing	POM, black
ball bearings	stainless steel
mounting hardware	stainless steel
magnets	ceramic
cups	polycarbonate

## TECHNICAL SPECIFICATIONS PRV

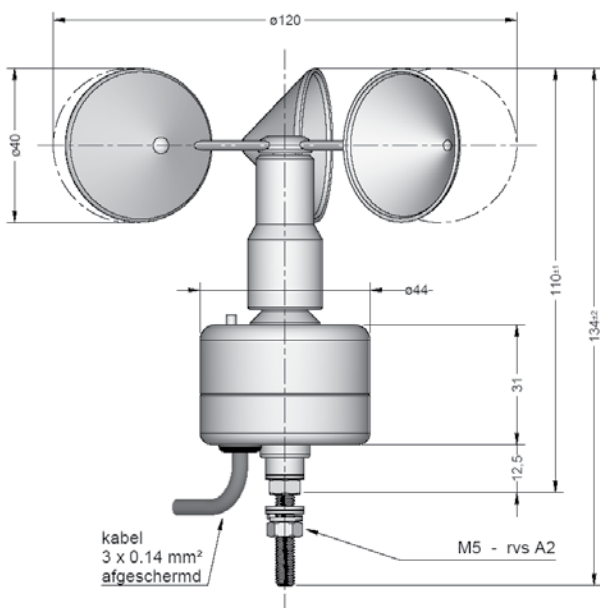
### POTENTIOMETER

life expectatio	> 20 x 10 <sup>6</sup> rotations
electrical angle	350 ± 3°
mechanical angle	360° without stop
damping ratio	0,35
treshold	1,2..1,5 m/s
linearity	1 %
resistance value	5 kOhm +/- 10 %
output PRV-C	4..20 mA
power supply PRV-C	10..30 VDC
operating temperature	-30..+80°C
temperature coefficient	± 200 ppm/°C

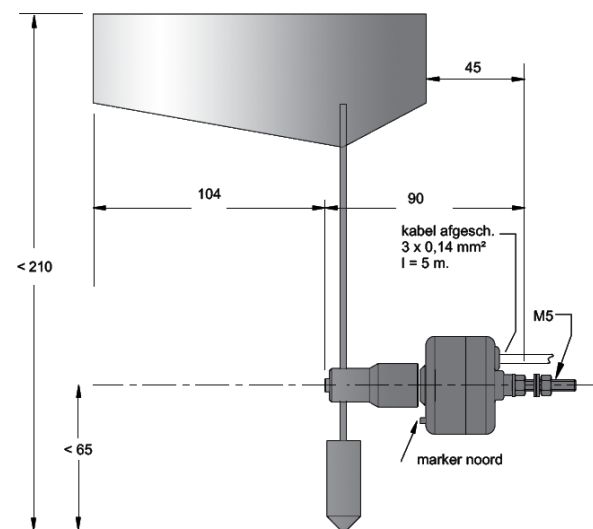
### MATERIAL

housing	POM, black
vane blade	painted glass fibre epoxy
vane stem and balance weight	painted brass
bearings	oil bronze
mounting hardware	stainless steel

## DRAWING PA2



## DRAWING PRV





## INGENIEURSBUREAU WITTICH & VISSER

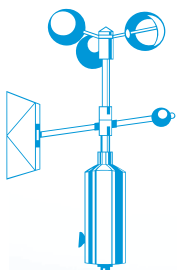
Ingenieursbureau Wittich & Visser was founded in 1924 and since then specialized in scientific and meteorological instruments. Worldwide leading companies and public institutes rely on the knowledge of Wittich & Visser about setting up and installing meteorological Instruments. We are **made to measure**.

It is the complete measurement set up that counts, not the individual Instruments. We at Wittich & Visser want the best solution for your answer. With our partners and our wide expertise of set up and installation of meteorological measurements, we can give you the best solution, service and instruments.

For more information, visit our website:  
**[www.wittich.nl](http://www.wittich.nl)**



*Our office at the Handelskade in Rijswijk, the Netherlands*



ingenieursbureau **wittich & visser**  
**scientific and meteorological instruments**

handelskade 76  
2288 bg rijswijk  
the netherlands

p.o.box 1111  
2280 cc rijswijk  
the netherlands

tel. +31 70 3070706  
fax +31 70 3070938

[www.wittich.nl](http://www.wittich.nl)  
[info@wittich.nl](mailto:info@wittich.nl)